



ATE10K25M-1

- M2
- E-Field Generator
- 3000 Watts CW
- 10kHz–25MHz

Features

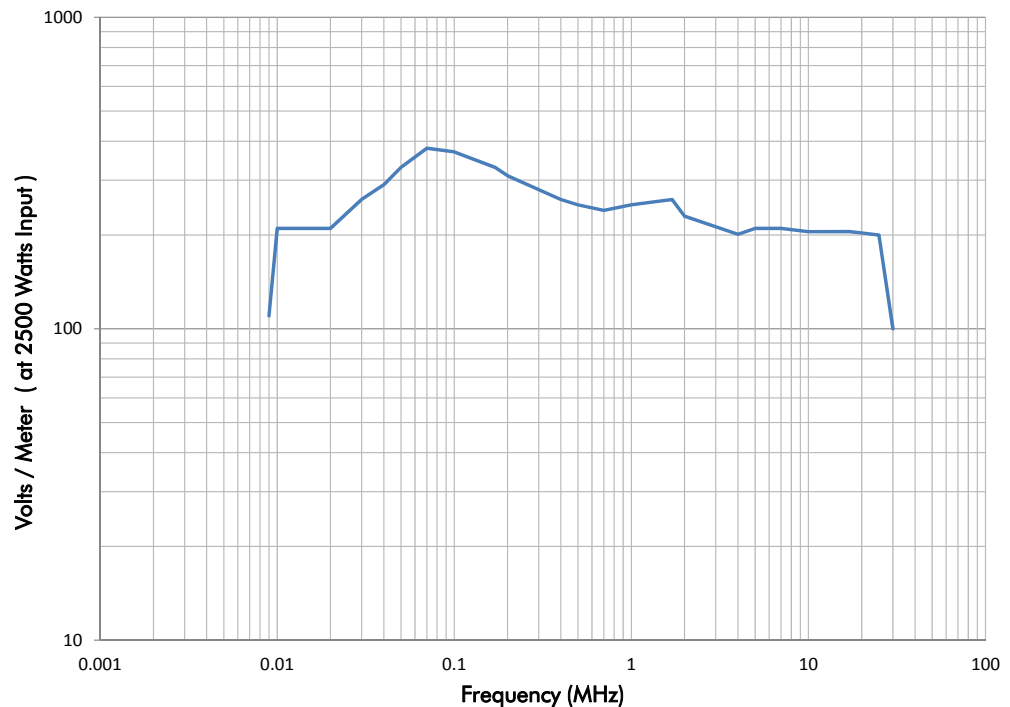
The Model ATE10K25M-1 is a broadband, high power E-Field Generator. It uses low-inductance internal load resistors to terminate the RF power and incorporates a broadband transformer to increase the output voltage. The transformer output is unbalanced so that the bottom flange may be unbolted from its wheeled cart and grounded, enabling use above a ground plate or turntable. These features provide a well matched input VSWR with relative freedom from reflections caused by the test object. A high power input rating enables generation of over 200 volt/meter fields.

Field strength data as shown in the following specifications is derived from measurements taken at the center between the elements of the E-Field Generator using broadband isotropic field sensors and an AR RF/Microwave Instrumentation Model 2500L power amplifier.

These measurements include 25-foot cable losses as well as RF field losses due to radiation and VSWR effects. The measurements were made in open air and it should be noted that, when using the Model ATE10K25M-1 in a shielded enclosure, additional field strength may be lost due to proximity of the ceiling. AR recommends the use of shielded enclosures having a minimum ceiling height of 6 meters to reduce the effect. Introducing a conductive test object into the E-Field Generator also affects field measurements, usually increasing them.

The export classification for this equipment is EAR99. These commodities, technology or software are controlled for export in accordance with the U.S. Export Administration Regulations. Diversion contrary to U.S. law is prohibited.

ATE10K25M-1 Typical Field Strength Between Elements



ATE10K25M-1

- M2
- E-Field Generator
- 10kHz–25MHz

Specifications and Graphs

Page 2

POWER INPUT, CW: 3000 watts maximum

FREQUENCY RESPONSE: 10 kHz-25 MHz

INPUT IMPEDANCE:

50 ohms, VSWR 2.0:1 max, 10 kHz-20 MHz;
VSWR 3.5:1 max, 20 MHz-25 MHz

ELECTRIC FIELD INTENSITY: 200 volts/meter
minimum between elements (at 2500 watt input)

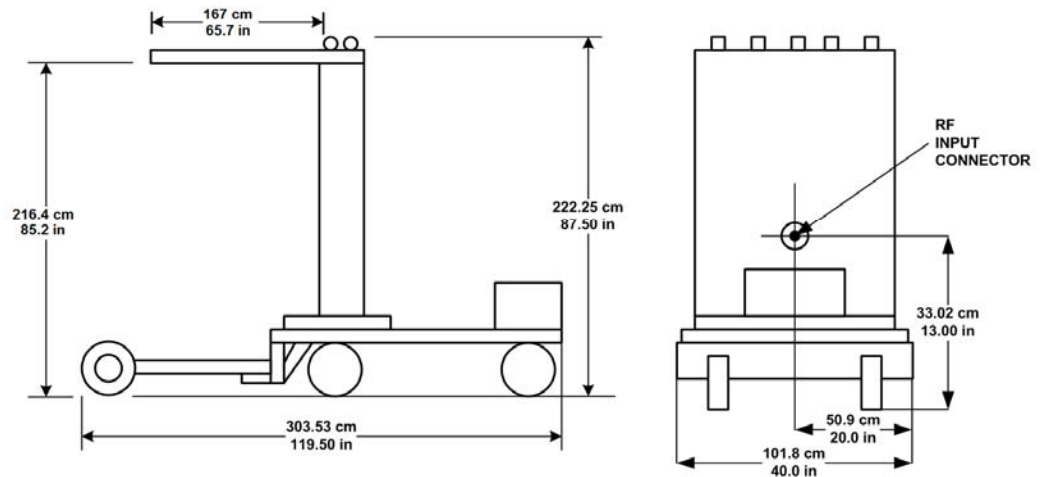
RF INPUT CONNECTOR: See Model Configuration

WEIGHT, MAXIMUM: 113 kg, 250 lb

SIZE (W x H x D): See drawing below

EXPORT CLASSIFICATION: EAR99

Model Number	Connector
ATE10K25M-1	C Female
ATE10K25M-1M2	7-16 DIN Female



4TECT

ООО «4TECT»

Телефон: +7 (499) 685-4444

info@4test.ru

www.4test.ru